



SEDEO PRO

HIGHLY ADJUSTABLE AND CONFIGURABLE SEATING



SEDEO PRO SEATING SYSTEM

**GOOD SEATING STARTS WITH THE PERSONAL NEEDS OF THE CLIENT.
ERGONOMIC SEATING IS THE BASIS OF AN OPTIMAL MOBILITY SOLUTION.**

It is all about creating a seating posture which makes it possible to achieve your goals and aspirations. All of this is fully reflected in our new SEDEO PRO seating system. For moderate to complex clinical needs, the seating system combines a highly adjustable seat frame with an excellent choice of postural support options, including a wide range of:

- Seat & Backrests cushions
- Legrests & Knee support pads
- Armrests, Side Guards & Thoracic Lateral Supports
- Headrests

For the first time both JAY™ and WHITMYER™ are incorporated to offer advanced positioning capabilities. Truly modular in design, SEDEO PRO provides a new level of functionality, comfort and design. It can be easily customised to suit individual requirements and quickly adapted to changing needs of the user.

JAY[®]
Superior Clinical Seating.

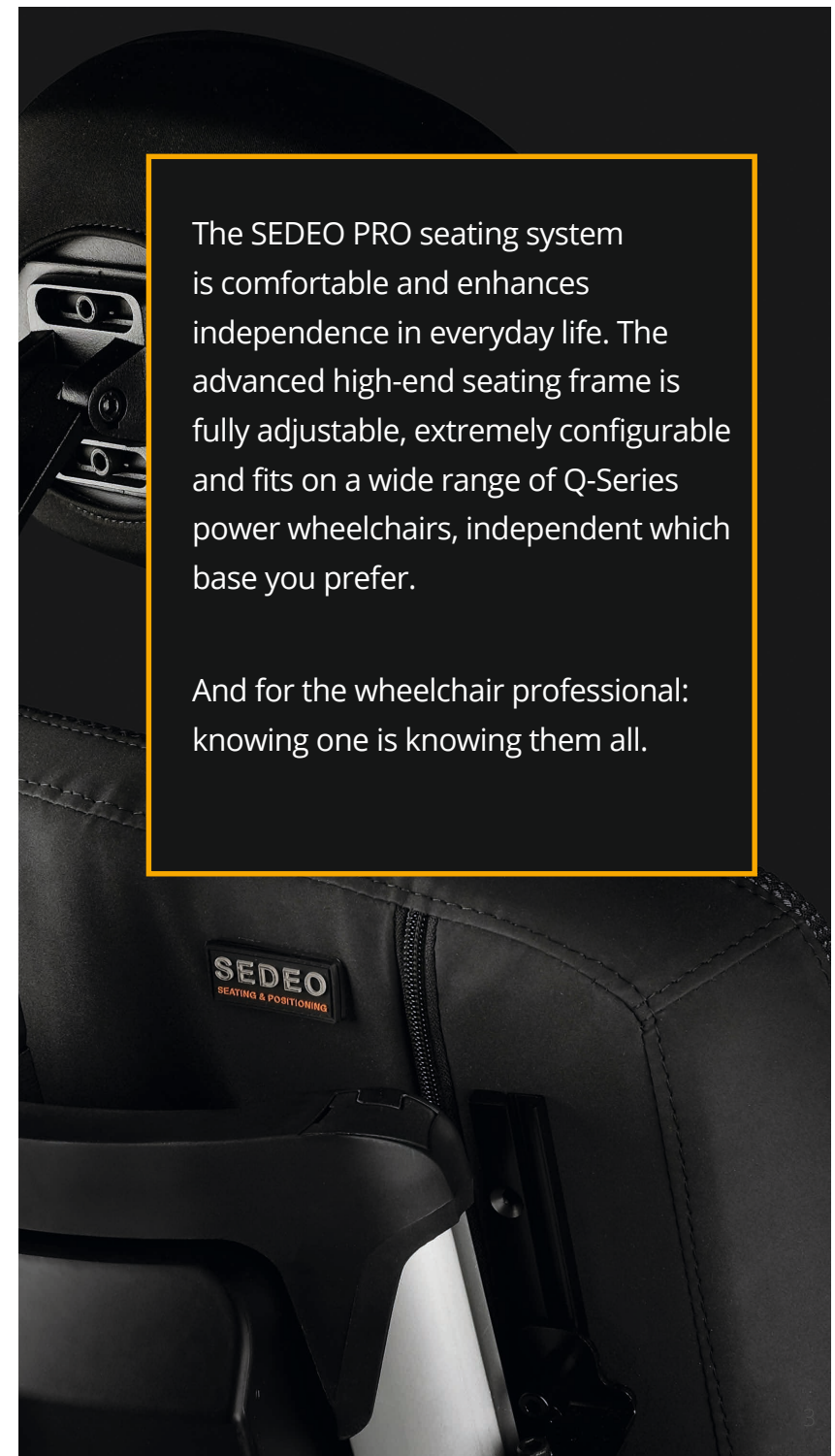
WHITMYER[®]





The SEDEO PRO seating system is comfortable and enhances independence in everyday life. The advanced high-end seating frame is fully adjustable, extremely configurable and fits on a wide range of Q-Series power wheelchairs, independent which base you prefer.

And for the wheelchair professional: knowing one is knowing them all.

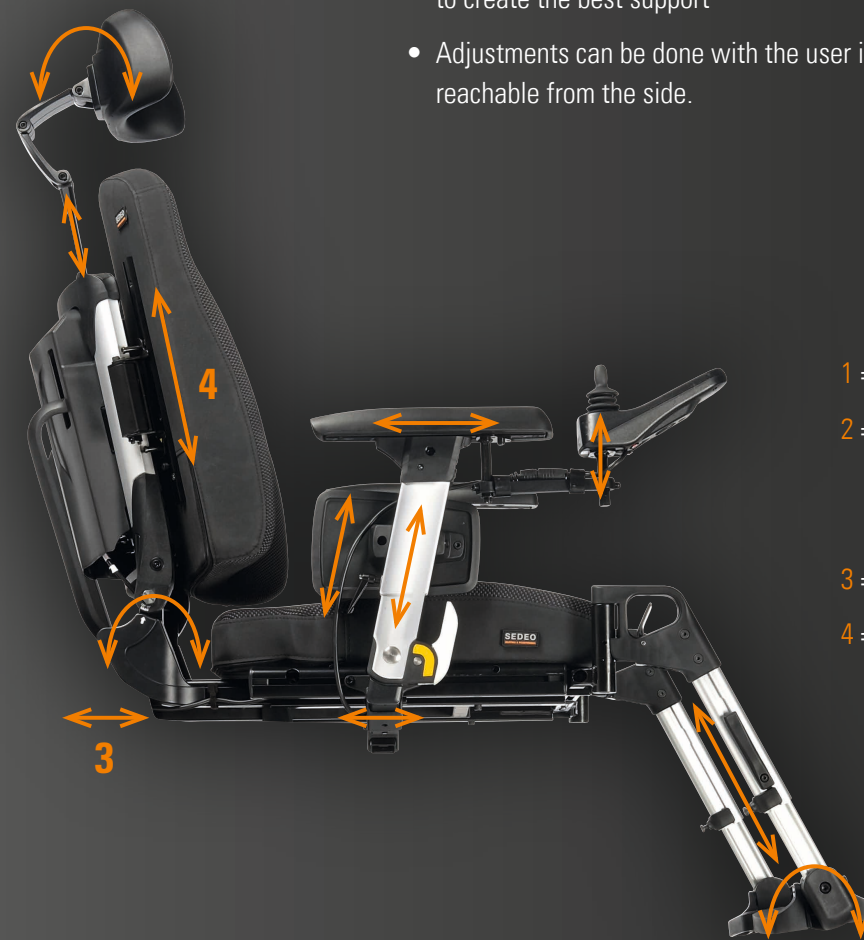


SEDEO PRO

QUICK AND EASY TO ADJUST

CREATING THE RIGHT SEATING POSTURE FOR YOU –
EASY TO DO FOR THE HEALTHCARE PROFESSIONAL

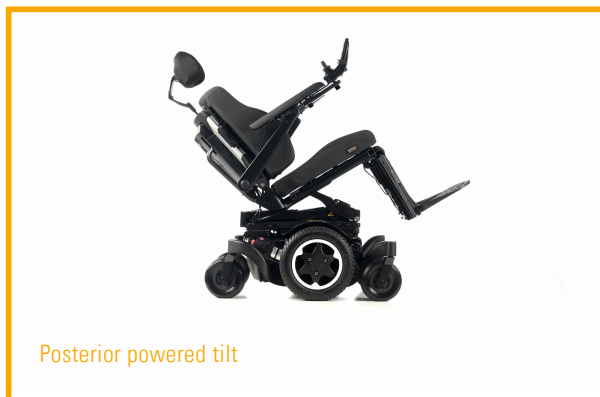
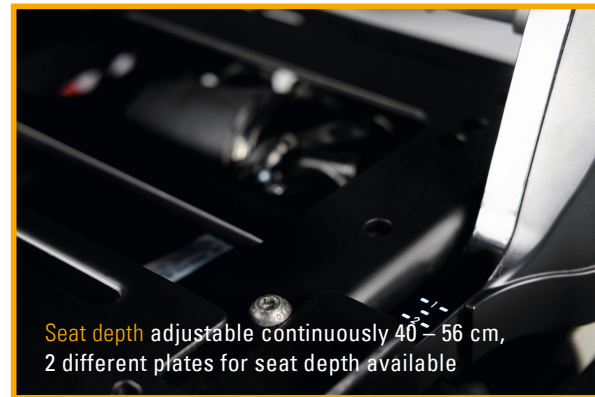
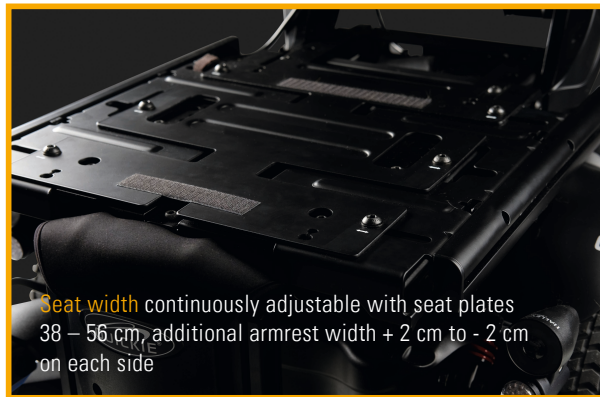
- Total flexibility / fully adjustable
- Intuitive adjustments. One tool adjustment (5 mm Allen key) / one simple working routine / self-explaining measuring scales / no extra parts are required
- Parts can be steplessly adjusted, repositioned, widened, turned to create the best support
- Adjustments can be done with the user in the chair, easily reachable from the side.



- 1 = Seat width: 38 - 56 cm
- 2 = Additional armrest width: + 2 cm to - 2 cm each side
- 3 = Seat depth: 40 - 56 cm
- 4 = Back height: 44 - 62 cm

SEDEO PRO SEATING FRAME

THE WIDE RANGE OF SEAT WIDTH AND SEAT DEPTH ADJUSTMENT MAKES THAT SEDEO PRO IS IDEAL. ALWAYS THE RIGHT FIT, YOU CAN'T ORDER WRONG.



HIGHLY CONFIGURABLE SEATING FRAME

FOUR BACK OPTIONS

4



Tool Angle Adjustable Back, 90°-120°
Stepless adjustment, easy to adjust with the user in the chair.



User Adjustable
Manual Recline Back, 90°-130°
Shifting body weight made easy with gas spring. Operating lever for user adjustment under the armrest.



Powered Recline, 90°-130°
Comfortable and easy reclining with the press of a button.



Powered Recline with
100 mm Anti-Shear, 90°-150°
Its patented unique mechanism enhances skin protection and allows the positioning elements and even chin control to stay in place during the full recline operation.



4

FOUR ARMREST TYPES WITH SEVERAL ARM PAD AND SIDE GUARD OPTIONS



Armrest, Single Post, Flip Back



Armrest, Reclining, Flip Back



Armrest, Single Post, Removable

CONFIGURE THE SEDEO PRO TO PERFECTLY FIT THE USER BY SELECTING COMPONENTS FROM THE WIDE VARIETY OF OPTIONS. WITH NO COMPROMISES – ALWAYS A PERFECT FIT.



2 TWO CENTER MOUNT LEGRESTS WITH CALF PLATE OPTIONS



Power Centre Mount Legrest



Tool Adjustable Centre Mount Legrest

3 THREE SWING AWAY LEGRESTS WITH CALF PLATE OPTIONS



SEDEO PRO Swing Away Legrest, 70°



SEDEO PRO Manual Elevating, Swing Away Legrest



SEDEO PRO Power Elevating, Swing Away Legrest

SEATING OPTIONS: JAY CUSHIONS & BACKS

A wide range of JAY cushions are available and compatible with the SEDEO PRO frame to meet higher clinical needs and ensure we offer the best seating possible.

Designed for pelvic stability, skin protection and comfort, JAY cushions and backs are low maintenance, highly customisable and are available in a large variety to meet your needs.



Jay X2



Fusion Fluid & Air



J2



J2 Deep Contour



SEDEO Back Cushion



J3 PDC



J3 PDL



J3 PD



J3 PL

JAY J3 BACKS

SEDEO HEADRESTS



SEDEO HEADREST PAD, SMALL
240 x 150 mm, Cover optional

SEDEO HEADREST PAD, FLEXIBLE
400 x 110 mm



SEDEO HEADREST MOUNT

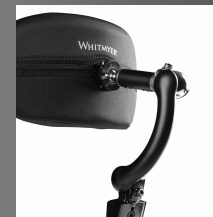
Very strong and easy to adjust in a variety of positions

Quickly back to the adjusted position with the memory function

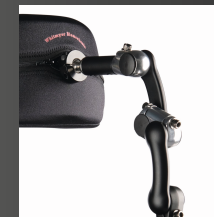
SEDEO PRO

WHITMYER®

A WIDE RANGE OF WHITMYER HEADRESTS ARE AVAILABLE WITH THE SEDEO PRO SEATING SYSTEMS TO MEET EVERY USER'S CLINICAL NEEDS AND ENSURE WE OFFER THE BEST SEATING POSSIBLE.



LINX



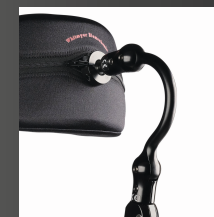
LINX2



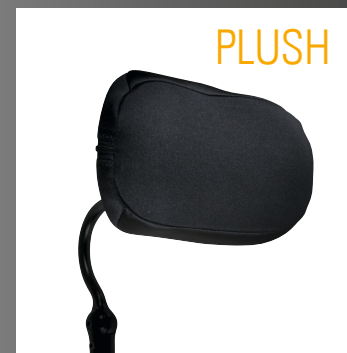
AXYS



AXYS Offset



Cobra XTRA Flip Back



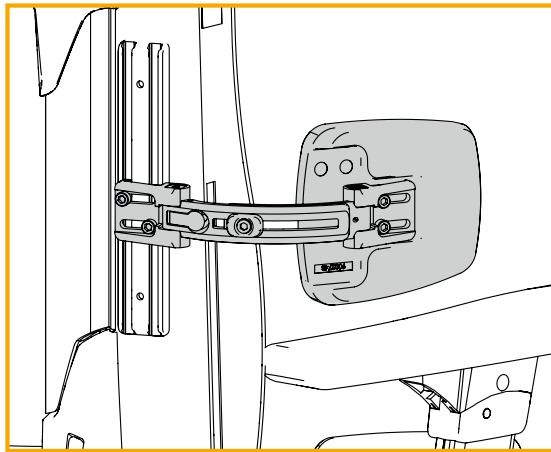
PLUSH



ADJUST-A-PLUSH

SEDEO PRO

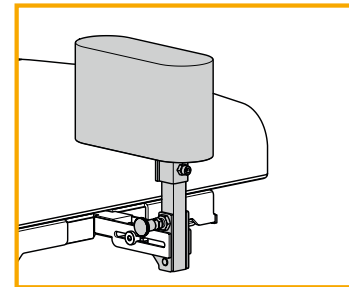
POSITIONING SUPPORT ITEMS



LATERAL THORACIC SUPPORTS

- Recommended with Profiled back or Profiled adjustable back
- Depth, width, height and angle adjustable
- Integral slim-line swing away mechanism

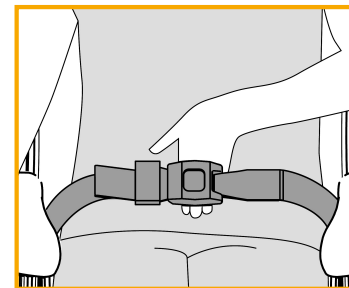
Pad sizes:
Short pad: 90 x 120 mm
Long pad: 150 x 130 mm



POMMEL

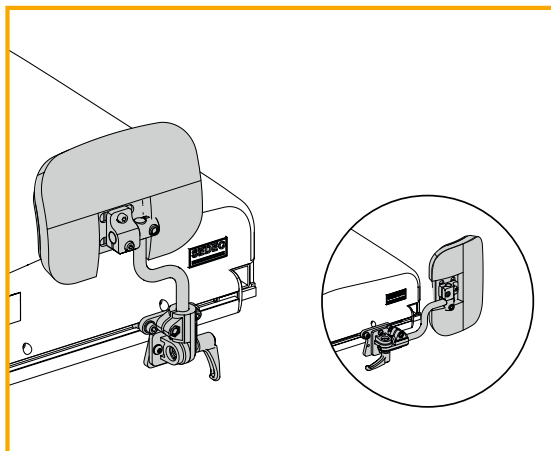
- Depth and height adjustable
- Swing away mechanism

Pad (wxdxh): 70 x 190 x 100 mm



POSITIONING BELT

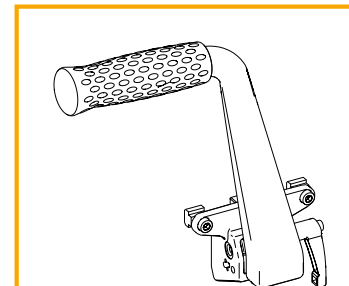
- Carseat Buckle
- Short: 50 x 1700 mm
- Long: 50 x 2700 mm



KNEE & THIGH SUPPORTS

- Depth, width and height adjustable
- Swing away mechanism

Pad sizes:
Small pad: 120 x 120 mm
Large pad: 180 x 120 mm



TRANSFER BAR

THE POWER OF QUICKIE

A complete power range from basic mobility to complex rehab.
Whatever you need - without compromise.

CLINICAL NEED



Q300

SEATING
SEDEO PRO
SEDEO LITE

BASES
MWD
RWD



Q400

SEATING
SEDEO LITE

BASES
MWD
FWD
RWD



Q500

SEATING
SEDEO PRO
SEDEO LITE

BASES
MWD
FWD
RWD



Q700

SEATING
SEDEO ERGO
SEDEO PRO

BASES
MWD
FWD
RWD



Q700-UP

SEATING
SEDEO ERGO UP

BASES
MWD
FWD

□ RWD: Rear-Wheel Drive □ MWD: Mid-Wheel Drive □ FWD: Front-Wheel Drive

BASE PERFORMANCE

Pictures and illustrations may be overseas models and some seating and accessories not available in Australia.

TECHNICAL DATA

SEDEO PRO // Seating System

Effective seat depth	400 - 560 mm
Effective seat width	380 - 560 mm
Seat to floor height	415 - 490 mm
Backrest angle	- Tool angle adjustable back: 90° - 120° - Powered recline: 90° - 130° - Powered recline with anti shear: 90° - 150°
Backrest height	440 - 620 mm
Armrest height	250 - 400 mm
Lower leg length	305 - 540 mm (from seatplate)



Sunrise Medical
6 Healey Circuit
Huntingwood NSW 2148
Phone: (02) 9678 6600
Fax: (02) 9423 6969
Email: enquiries@sunrisemedical.com.au
www.SunriseMedical.com.au



For further information on the full specification, options and accessories, please refer to the order form. All information is subject to change without notification. Please consult Sunrise Medical with any queries you may have. If you are visually impaired, this document can be viewed in PDF format at www.SunriseMedical.com.au.



Irrtümer, Druckfehler und Änderungen vorbehalten